

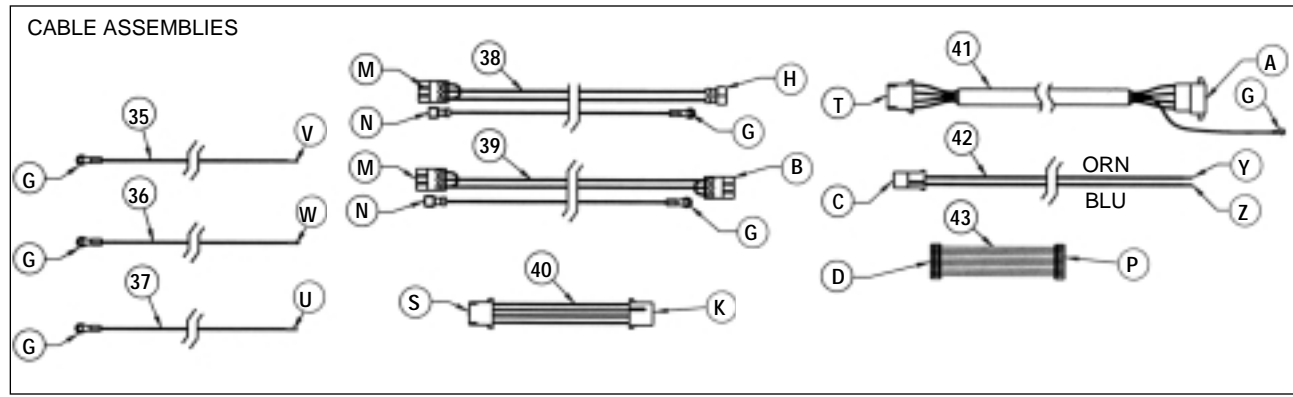
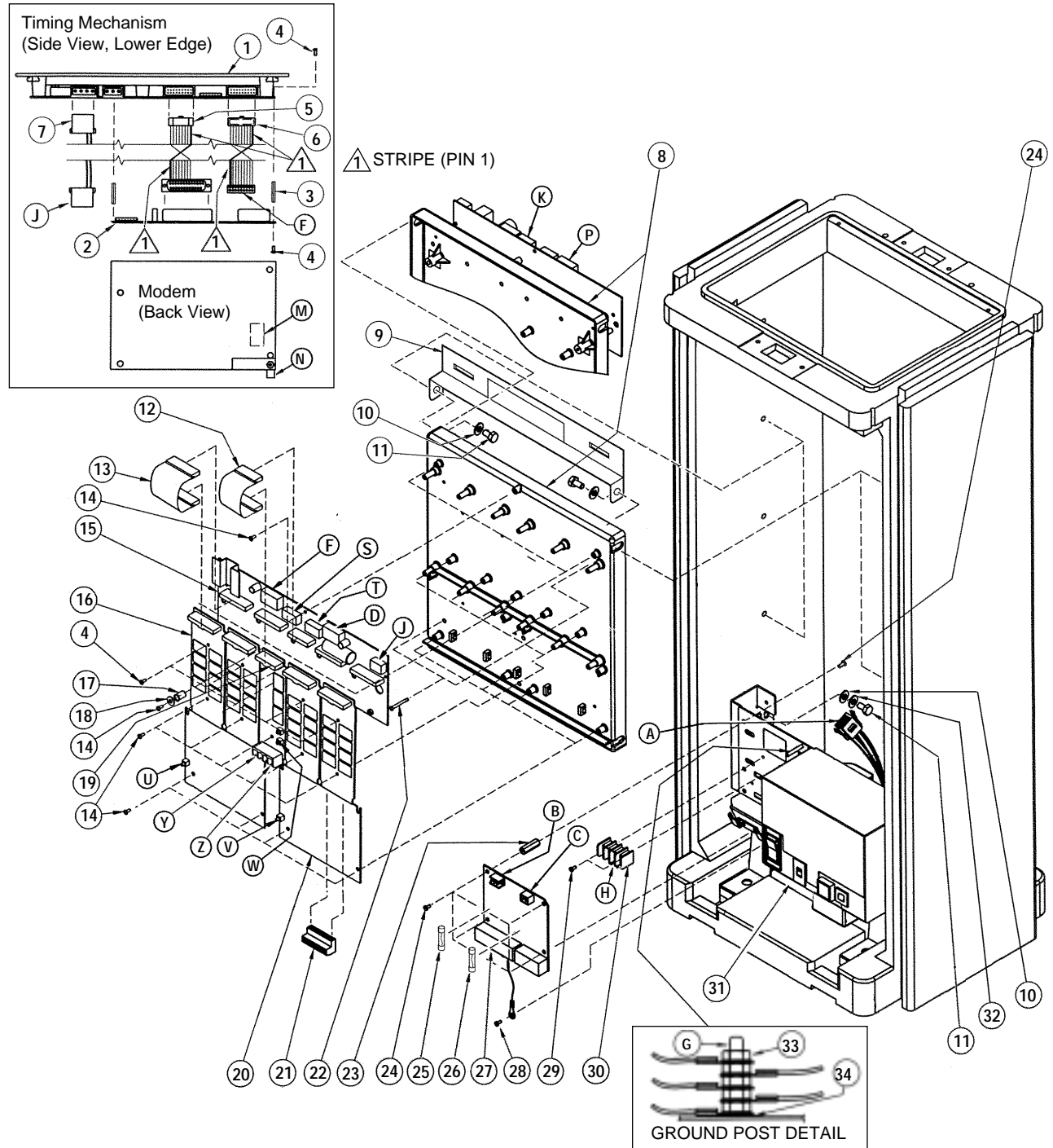


Network LTC™ Plus Satellite Version 4.0

Illustrated Parts Breakout

Table of Contents	Page
Figure 1 – Common Internal Components	2
Parts and Service Assembly Listing	3
Figure 2 – Plastic Pedestal Components	4
Parts and Service Assembly Listing	5
Figure 3 – Metal Pedestal Components	4
Parts and Service Assembly Listing	5
Figure 4 – Power Supply Components	6
Wiring Color Code for Power Supply Components	7

Figure 1 – Common Internal Components



Item No.	Part No.	Nomenclature	Quantity
1	-----	Refer to Figure 1 for the following items: Timing Mechanism Assy. (See Service Item 102-0794)	1
2	-----	Modem, Standard (See Service Item 89-9026)	1
3	-----	Standoff, Hex 1/4" x 1.5"	4
4	1-3078	Machine Screw, 6-32 x 1/4"	4
5	89-9043	Cable Assy., Ribbon, Timing Mechanism to Modem	1
6	89-9042	Cable Assy., Ribbon, Timing Mechanism to Distribution Board	1
7	89-9041	Cable Assy., 2-Wire, Timing Mechanism Power	1
8	89-9027	Frame, Black Plastic Assy. (Includes Item 22)	2
9	-----	Bracket, Reinforce (plastic cabinet models only)	1
10	360-0140	Flat Washer, 1/4", SST	4
11	360-0595	Machine Screw, 1/4-20 x 1/2", SST	8
12	102-0803	Cable Assy., Ribbon, 12-Pin (Pump/Common to Distribution)	1
13	102-0802	Cable Assy., Ribbon, 16-Pin (8-Station Output to Distribution)	4
14	363-1355	Screw, Tap, #6	#
15	-----	Parallel Distribution Board (See Service Item 102-0793)	1
16	-----	Output Module, 8-Station (See Service Item 102-0796)	#
17	-----	Retainer	2
18	363-5083	Washer, Brass	2
19	-----	Pump/Common Module (See Service Item 102-0795)	1
20	-----	16-Station Output Board (See Service Items 89-9033-89-9036)	#
21	89-9032	Connector, Terminal Block, 8-Station	#
22	363-3587	Tap Screw, #8 x 1.5"	2
23	363-3603	Standoff, Hex, 5/16" x 1"	4
24	360-0285	Machine Screw, 6-32 x 3/8"	8
25	-----	Fuse, 0.5A, 250V (See Service Item 363-2638)	4
26	-----	Fuse, 7.5A, 250V (See Service Item 363-2635)	4
27	-----	Pump/Common/Communication Board (See Service Item 89-9039)	1
28	360-0136	Tap Screw, #8 x 3/8"	1
29	4-1063	Tap Screw, #6 x 3/8"	2
30	363-3574	Terminal Block, 2-Position	1
31	-----	Power Supply Assy. (See pages 4 & 5 for parts listing)	1
32	363-1623	Washer, Star	4
33	-----	Hex Nut, 8-32 w/External Tooth Lock Washer	5
34	360-0600	Lock Washer, #8, External Tooth	1
35	-----	Wire Assy., Ground, 14-AWG x 8" (See Service Item 89-9049)	#
36	-----	Wire Assy., Ground, 14-AWG x 10.5" (See Service Item 89-9049)	1
37	-----	Wire Assy., Ground, 14-AWG x 13" (See Service Item 89-9049)	1
38	-----	Cable Assy., Modem to Terminal Block (See Service Item 89-9044)	1
39	-----	Cable Assy., Modem to Surge Board (See Service Item 89-9044)	1
40	89-9045	Cable Assy., 4-Wire Jumper	1
41	89-9046	Cable Assy., 4-Wire, Shielded	1
42	89-9047	Cable Assy., 2-Wire, Pump/Com Board to Surge Board	1
43	89-9048	Cable Assy., Ribbon, Jumper	1
		(# Quantity per assembly varies with station count)	
		Service Parts and Assemblies	
	102-0793	Parallel Distribution Board (Includes Item 14)	
	102-0794	Timing Mechanism, Svc. (Includes Items 1, 3, 4 & 6)	
	102-0795	Pump/Com Module Svc. (Includes Items 12, 14, 17 & 18)	
	102-0796	Output Module, 8-Station Svc. (Includes Items 4, 13 & 14)	
	89-9026	Standard Modem, Svc. (Includes Items 2-5)	
	89-9027	Frame, Black Plastic Assy. Svc. (Includes Item 22)	
	89-9044	Cable Assy. Svc., Surge to Modem & Surge to Terminal Block (Incl. Items 37 & 38)	
	89-9049	Ground Wire Assy., Svc. (Includes Items 34, 35 & 36)	
	89-9033 *	16-Station Output Board w/o Surge Pills or Switches (Includes Item 14)	
	89-9034 *	16-Station Output Board w/Switches (Includes Item 14)	
	89-9035 *	16-Station Output Board w/Surge Pills (Includes Item 14)	
	89-9036 *	16-Station Output Board w/Surge Pills & Switches (Includes Item 14)	
	89-9039 *	Pump/Common/Communication Board (Includes Item 23 & 24)	
	363-2638	Fuse, 0.5A, 250V, Fast Blow	
	363-2635	Fuse, 7.5A, 250V, Fast Blow	
		(* Order through Finished Goods Distribution System – Minneapolis)	

Figure 2 – Plastic Pedestal Components

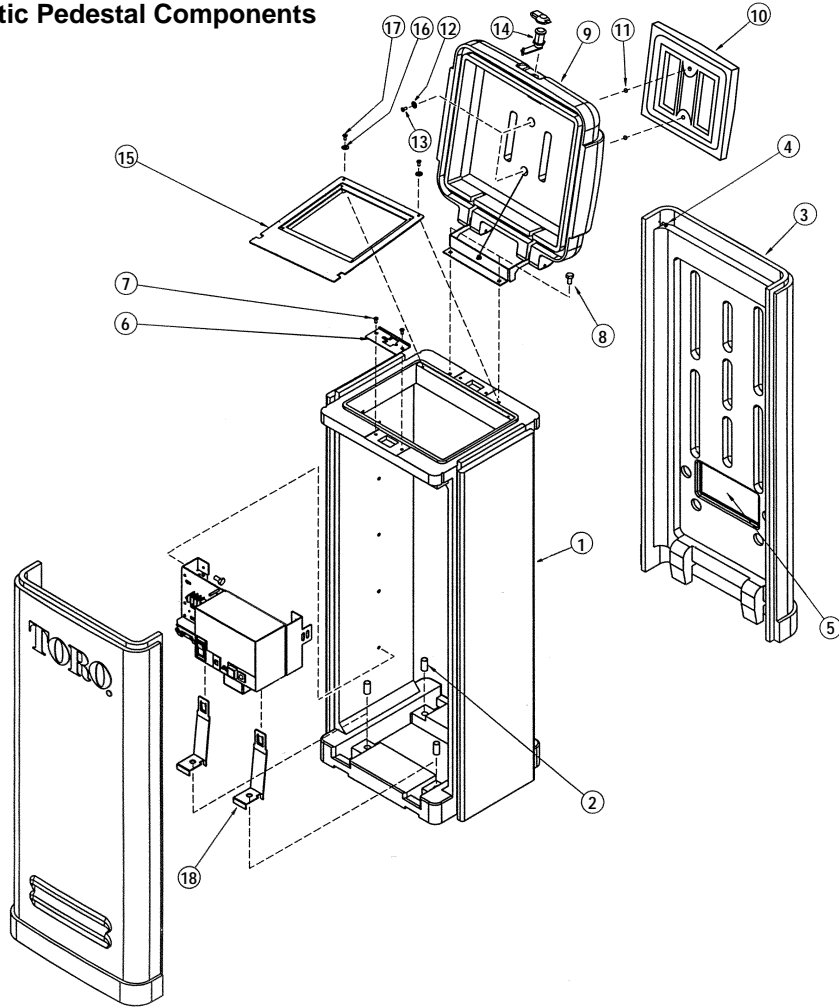
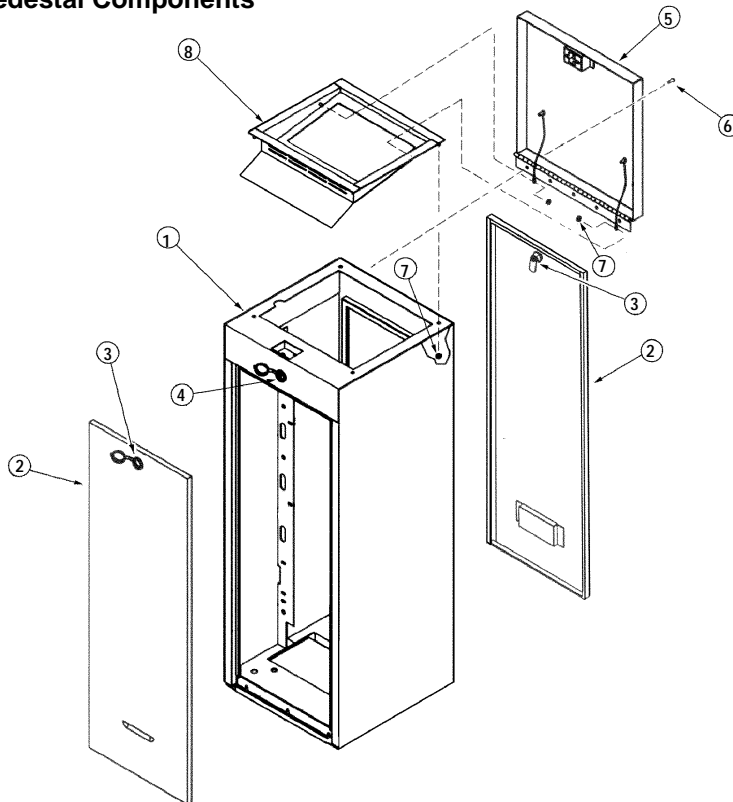
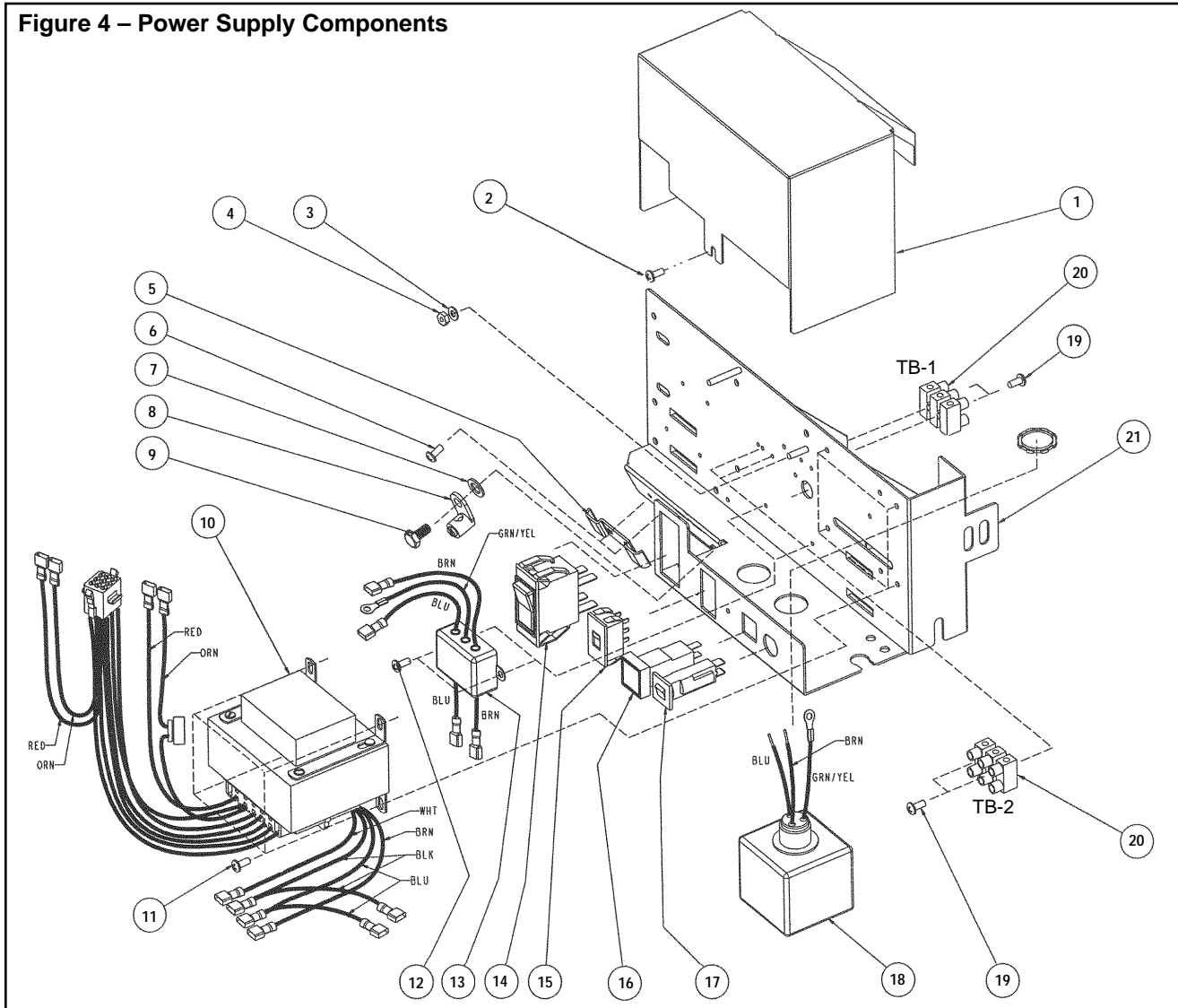


Figure 3 – Metal Pedestal Components



Item No.	Part No.	Nomenclature	Quantity
		Refer to Figure 2 for the following items:	
1	-----	Base, Plastic Pedestal	1
2	-----	Standoff	4
3	-----	Door, Plastic Pedestal	2
4	-----	Detent Latch Assy., Door	2
5	-----	Air Filter, Foam	2
6	-----	Plate, Locking	1
7	363-5334	Screw, #10-32 x 3/8" SST	2
8	360-0595	Screw, Machine, 1/4-20 x 1/2", SST	2
9	-----	Cover, Plastic, Standard	1
10	-----	Cap, Vent	1
11	-----	Washer, Silicone	2
12	-----	Washer, Flat	2
13	363-3438	Screw, machine, #10-32 x 3/4", SST	1
14	-----	Lock Assy.	1
15	-----	Plate, Face	1
16	363-3542	Washer, Finish, #6	2
17	363-3541	Screw, Trim, #6	2
18	-----	Support Bracket, Power Supply	2
		Service Parts and Assemblies	
	89-8345	Cover Assy., Standard, Service (Includes Items 9–14)	
	89-8346	Lock Kit, Service (Includes Item 14, Lock Cover & Keys)	
	89-8347	Door Assy., Service (Includes Items 3–5)	
	89-8348	Base Assy., Service (Includes Items 1, 6 & 7)	
	89-8355	Vent Cap Assy., Service (Includes Items 10–13)	
	89-8342	Standard Plastic Cabinet (Only) w/o Electric Components	
		Refer to Figure 3 for the following items:	
1	-----	Base, Pedestal, Green, SST	1
2	-----	Door, Pedestal, Green, SST	2
3	-----	Lock, Door	2
4	-----	Lock, Cover	2
5	-----	Cover, Pedestal Green, SST	1
6	363-3438	Screw, 10-32 x 3/4", SST	5
7	363-1752	Hex Nut, 10-32, SST	4
8	102-0684	Mount, Timing Mechanism, SST	1
		Service Parts and Assemblies	
	102-0702	Base, Pedestal Green, SST w/Lock Assy, Svc. (Incl. Items 1 & 4, Lock Cover & Keys)	
	89-8294	Pedestal Assy., Green, SST, Service (Includes Items 1–7)	
	102-0714	Lock Kit, Door, Service (Includes Item 3, Lock Cover & Keys)	
	102-0705	Lock Kit, Cover, Service (Includes Item 4 Lock Cover & Keys)	
	102-0704	Door, Pedestal, Green, SST, Service (Includes Item 2, 3, Lock Cover & Keys)	

Figure 4 – Power Supply Components



Item No.	Part No.	Nomenclature	Quantity
1	-----	Cover (See Service Item 102-0800)	1
2	360-0136	Screw, Tap, #8 x 3/8"	1
3	360-0600	Washer, Lock	1
4	-----	Nut, Hex, #8-32	1
5	-----	Clamp, Com Cable	1
6	1-6051	Screw, Tap, #8	1
7	363-1623	Washer, Lock, 1/4"	1
8	363-1553	Lug, Grounding	1
9	360-0595	Screw, Machine, 1/4-20 x 1/2"	1
10	-----	Transformer Assy. (See Service Item 102-0791)	1
11	-----	Screw, Tap, #10 x 3/8"	4
12	4-1063	Screw, Tap, #6 x 3/8"	2
13	102-0700	Filter Assy., RFI	1
14	102-0666	Switch, Circuit Breaker, 1.5A	1
15	102-0648	Selector Switch, 115/230V	1
16	102-0788	3.2A Fuse Holder Assy.	1
17	102-0651	Circuit Breaker, 4.0A	1
18	102-0668	Surge Protection Assy. w/Nut	1
19	360-0297	Screw, Tap, #6	4
20	-----	Terminal Block, 3-Position (See Service Item 102-0792)	2
21	-----	Plate, Transformer Mounting (See Service Item 102-0801)	1
Service Parts and Assemblies			
	102-0791	Transformer w/Wire Harness Assy. Svc.(Includes Item 11)	
	102-0792	Terminal Block, Svc. (Includes Item 19)	
	102-0800	Cover, Power Supply, Svc. (Includes Item 2)	
	102-0801	Power Supply Mount, Svc.	
	102-0650	Fuse, 3.2A, Slow-Blow	

Wiring Color Code for Power Supply Components

Note: Orientation of the left/right position is based on viewing the component from the front.

To Power Switch - ("O" on bottom)		
Color	From	Position
Brown	RFI (3-wire side)	Top Left
Blue	RFI (3-wire side)	Top Right
Brown	TB-1 & TB-2	Bottom Left
Blue/Wht	TB-1 & TB-2	Bottom Right

To Voltage Select Switch		
Color	From	Position
Black	Xfmr/RFI (2-wire side)	Top Left
Blue	Xfmr/RFI (2-wire side)	Top Right
Brown	Transformer	Middle Left
White	Transformer	Middle Right
Black	Jumper	Bottom (Both)

To Terminal Block 2 (TB-2)		
Color	From	Position
Brown	Power Switch	Left
Brown	Surge Protector	Left
Grn/Yel	Gnd Wire Assy.	Middle
Blue/Wht	Power Switch	Right
Blue	Surge Protector	Right

To Terminal Block 1 (TB-1)		
Color	From	Position
Brown	Power Switch	Left
Grn/Yel	Gnd. Wire Assy.	Middle
Blu/Wht	Power Switch	Right

To RFI Filter (2-Wire Side)		
Color	From	Wire
Blue	Xfmr/Volt Sel. Sw.	Blue
Black	Xfmr/Volt Sel. Sw.	Brown

To Fuse Holder		
Color	From	Position
Orange	Transformer	Either Terminal
Orange	Transformer	Either Terminal

To Circuit Breaker		
Color	From	Position
Red	Transformer	Either Terminal
Red	Transformer	Either Terminal

