

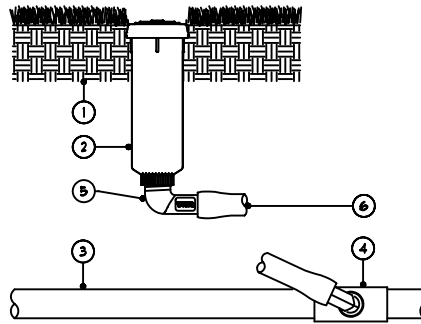
- ① APPROVED BACKFILL
- ② TORO T20G SPRINKLER
- ③ LATERAL PIPE
- ④ LATERAL TEE
- ⑤ NIPPLE

NOTE:  
INSTALL SPRINKLER  
AT FINISHED GRADE

SECTION/ELEVATION

(RISER)  
TORO T20G SERIES 4" POP-UP

NOT TO SCALE



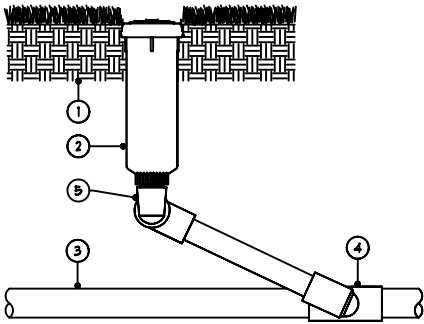
- ① APPROVED BACKFILL
- ② TORO T20G SPRINKLER
- ③ LATERAL PIPE
- ④ LATERAL TEE
- ⑤ TORO 850-32 BARBED MALE ELL
- ⑥ TORO SUPER FUNNY PIPE

NOTE:  
INSTALL SPRINKLER  
AT FINISHED GRADE

SECTION/ELEVATION

(SUPER FUNNY PIPE)  
TORO T20G SERIES 4" POP-UP

NOT TO SCALE



- ① APPROVED BACKFILL
- ② TORO T20G SPRINKLER
- ③ LATERAL PIPE
- ④ LATERAL TEE
- ⑤ MANUFACTURED SWING JOINT

NOTE:  
INSTALL SPRINKLER  
AT FINISHED GRADE

SECTION/ELEVATION

(SWING JOINT)  
TORO T20G SERIES 4" POP-UP

NOT TO SCALE