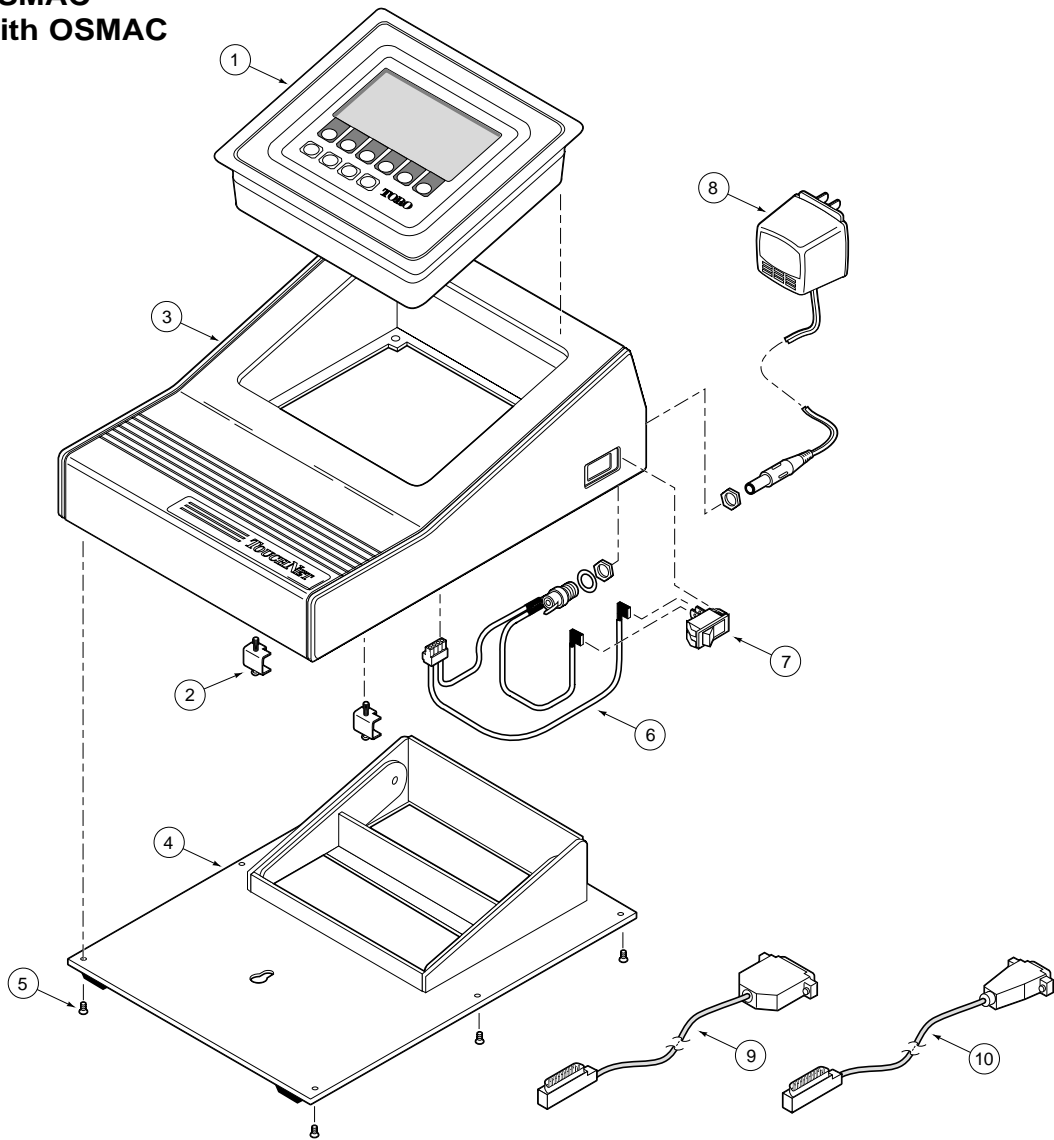




TouchNet™ Central Illustrated Parts Breakout

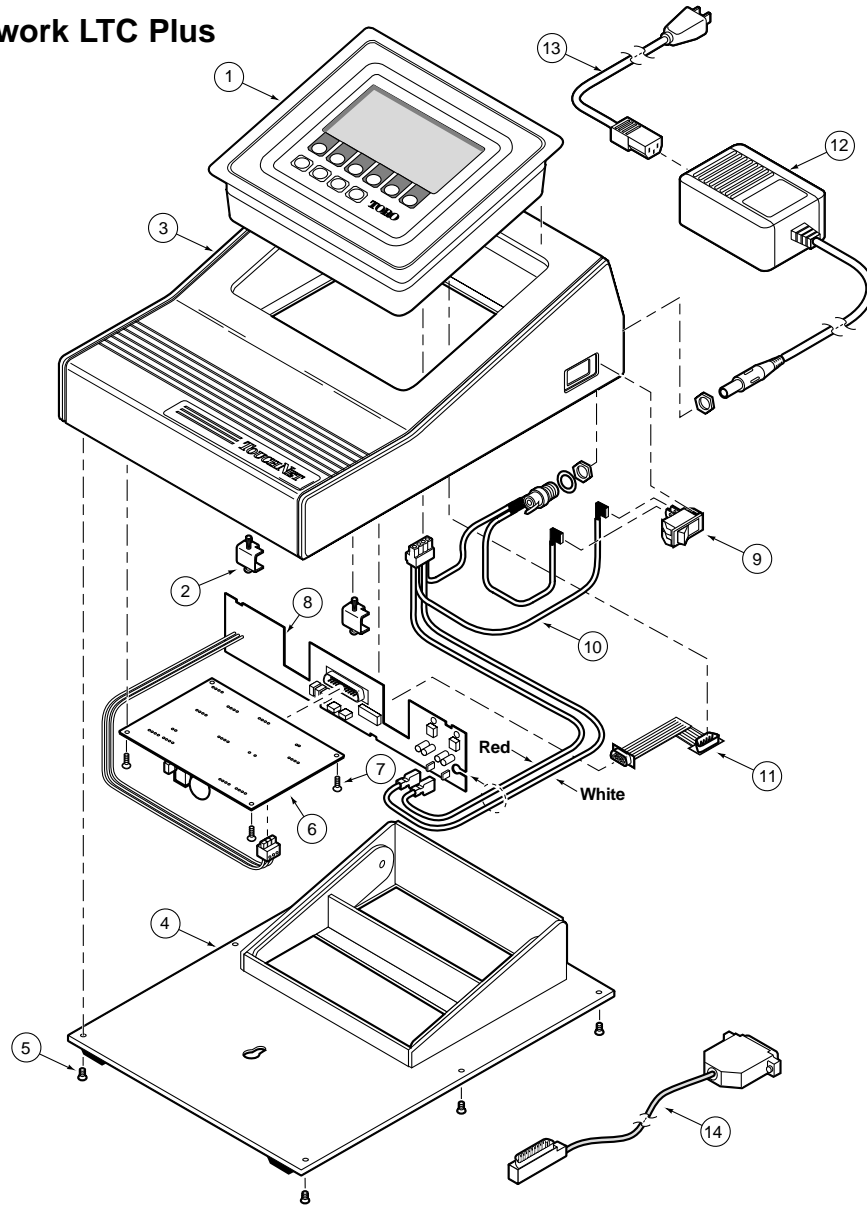
TouchNet for OSMAC and E-Series with OSMAC



Item No.	Part No.	Nomenclature	Quantity Per Assy.
1	*89-8260	Data Panel, TouchNet	1
2	363-3549	Clamp	6
3	89-8261	Housing Assembly (Includes Items 3-5)	1
4	-----	Base, Housing	1
5	-----	Screw, Housing Base	6
6	89-8257	Wiring Harness Assembly	1
7	363-3531	Switch, Rocker	1
8	363-3535	Transformer Assembly, 120 VAC, 60 Hz	1
9	363-3537	Connection Cable Assembly (Use w/Motorola® "People Finder")	1
9	363-3612	Connection Cable Assembly (Use w/Hand Held Remote Interface)	1
10	102-0573	Connection Cable Assembly (Use w/Toro Wide or Narrow Band Base Station)	1

*Available from NSN

TouchNet for Network LTC Plus



Item No.	Part No.	Nomenclature	Quantity Per Assy.
1	*89-8791	Data Panel, TouchNet	1
2	363-3549	Clamp	6
3	89-8357	Housing Kit (Includes Items 4 & 5)	1
4	-----	Base, Housing	1
5	-----	Screw, Mach, 4-40, Flt, Csk	6
6	89-7519	PCB Assy., Standard Modem	1
7	363-1355	Screw, Tap, #6	4
8	89-8528	PCB Assy., DTP-To-Modem	1
9	363-3531	Switch, Rocker	1
10	102-0781	Wire Harness Assy.	1
11	89-8534	Ribbon Cable Assy., Interface	1
12	363-3579	Transformer Assembly, 12 V d.c., 1.5A	1
13	363-5326	Power Cord, U.S./Canada	1
14	363-3612	Connection Cable Assembly (Use w/Hand Held Remote Interface)	1
*Available From NSN			