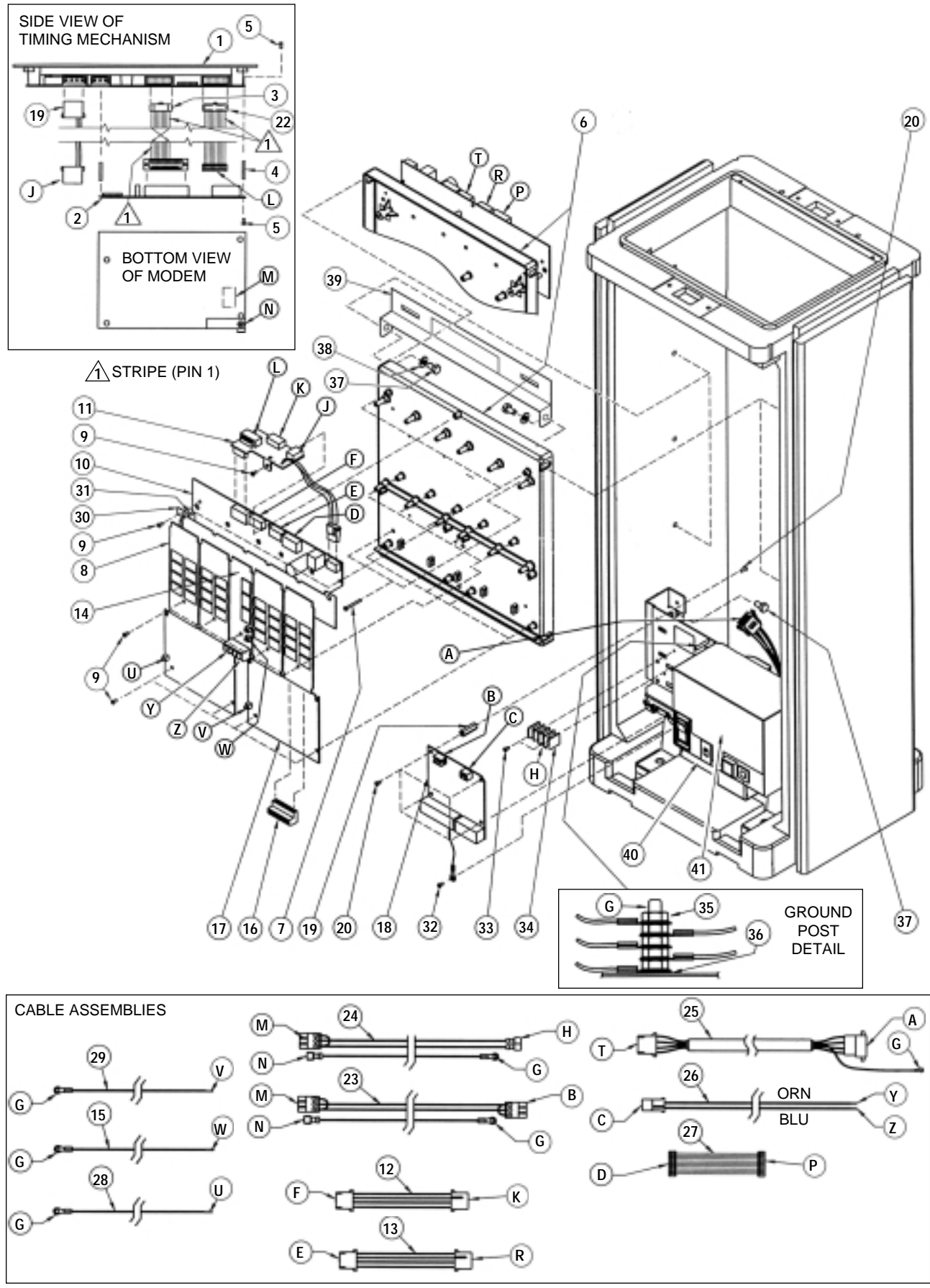




<b>Figure 1 – Common Internal Components .....</b>	<b>2</b>
<b>Parts and Service Assembly Listing .....</b>	<b>3</b>
<b>Figure 2 – Plastic Pedestal Components.....</b>	<b>4</b>
<b>Parts and Service Assembly Listing .....</b>	<b>5</b>
<b>Figure 3 – Stainless Steel Pedestal Components .....</b>	<b>4</b>
<b>Parts and Service Assembly Listing .....</b>	<b>5</b>

**Figure 1 – Common Internal Components**



Item No.	Part No.	Nomenclature	Quantity
		<b>Refer to Figure 1 for the following items:</b>	
1	-----	Timing Mechanism Assy.	1
2	-----	PCBA, Standard Modem	1
3	-----	Ribbon Cable Assy., Timing Mechanism to Modem	1
4	363-3607	Standoff, Hex 1/4" x 1.5"	4
5	1-3078	Machine Screw, 6-32 x 1/4"	4
6	-----	Frame, Black Plastic	1
7	363-3587	Tap Screw, #8 x 1.5"	2
8	-----	PCBA, Output Module, 8-Station	#
9	363-1355	Tap Screw, #6	#
10	-----	PCBA, Distribution	1
11	-----	PCBA, 24-Volt Detect	1
12	-----	Cable Assy., 4-Wire Distribution PCBA to 24-Volt Detect PCBA	1
13	-----	Cable Assy., 4-Wire Distribution PCBA to Distribution PCBA	#
14	-----	PCBA, Pump/Common w/Ground Wire	1
15	-----	Wire Assy., Ground, 14-AWG x 10.5"	#
16	-----	Connector, Terminal Block, 8-Station	#
17A	-----	PCBA, 16-Station Output w/o Surge Pills or Switches	#
17B	-----	PCBA, 16-Station Output w/Switches	#
17C	-----	PCBA, 16-Station Output w/Surge Pills	#
17D	-----	PCBA, 16-Station Output w/Surge Pills & Switches	#
18	-----	PCBA, Pump/Common/Communication	1
19	363-3603	Standoff, Hex, 1/4" x 1"	4
20	360-0285	Machine Screw, 6-32 x 3/8"	4
21	-----	Cable Assy., 2-Wire, Timing Mechanism to Power	1
22	-----	Cable Assy., Ribbon, Timing Mechanism to 24-Volt Detect	1
23	-----	Cable Assy., 3-Wire, Communication w/Surge to Modem & Ground	1
24	-----	Cable Assy., Communication Terminal Block to Modem	1
25	-----	Cable Assy., 4-Wire, Shielded	1
26	-----	Cable Assy., 2-Wire, Pump/Com PCBA to Pump/Com/Comm Surge PCBA	1
27	-----	Cable Assy., Ribbon, Jumper	1
28	-----	Wire Assy., Ground, 14-AWG x 13"	1
29	-----	Wire Assy., Ground, 14-AWG x 8"	1
30	-----	Insulator, Output Distribution Board	#
31	-----	Plug, 12-Position, 10-Shorted	#
32	363-1036	Tap Screw, #8 x 3/8"	1
33	4-1063	Tap Screw, #6 x 3/8"	2
34	363-3574	Terminal Block, 2-Position	1
35	363-1483	Hex Nut, 8-32 w/External Tooth Lock Washer	5
36	360-0600	Lock Washer, #8, External Tooth	1
37	360-0595	Machine Screw, 1/4-20 x 1/2", SST	6
38	360-0595	Flat Washer, 1/4", SST	4
39	-----	Bracket, Reinforce (Used on plastic cabinet models only)	1
40	-----	Power Supply Assy.	1
41	-----	Power Supply Assy. Cover	1
		(# Quantity per assembly varies with station count)	
		<b>Service Assemblies</b>	
	89-9025	Timing Mechanism w/o Modem (Item 1)	
	89-9026	Standard Modem (Includes Items 2–5)	
	89-9027	Frame, Black Plastic (Includes Items 6 & 7)	
	89-9028 *	PCBA, Output Module, 8-Station (Includes Items 8 & 9)	
	89-9029	PCBA, Distribution (Includes Items 9 & 10)	
	89-9030	PCBA, 24-Volt Detect (Includes Items 9, 11 & 12)	
	89-9031	PCBA, Pump/Com w/Ground Wire (Includes Items 9, 14 & 15)	
	89-9032	Connector, Terminal Block, 8-Station (Item 16)	
	89-9033 *	PCBA, 16-Station Output w/o Surge & Switches (Includes Items 9 & 17A)	
	89-9034 *	PCBA, 16-Station Output w/Switches (Includes Items 9 & 17B)	
	89-9035 *	PCBA, 16-Station Output w/Surge (Includes Items 9 & 17C)	
	89-9036 *	PCBA, 16-Station Output w/Surge & Switches (Includes Items 9 & 17D)	
	89-9039 *	PCBA, Pump/Common/Communication (Includes Items 18–20)	
	89-9041	Cable Assy., 2-Wire Timing Mechanism to Power (Item 21)	
	89-9042	Ribbon Cable Assy., Timing Mechanism to Communication (Item 22)	
	89-9043	Ribbon Cable Assy., Timing Mechanism to Modem (Item 3)	
	89-9044	Cable Assy., Communication w/Surge to Modem (Includes Items 23 & 24)	
	89-9045	Cable Assy., 4-Wire Jumper (Item 13)	
	89-9046	Cable Assy., 4-Wire, Shielded, Transformer Out (Includes Item 25)	
	89-9047	Cable Assy., 2-Wire, Pump/Com PCBA to Pump/Com/Comm Surge PCBA (Item 26)	
	89-9048	Ribbon Cable Jumper, Communication (Includes Item 27)	
	89-9049	Wire Assy., Ground (Includes Items 15, 28 & 29)	
	89-9037	Power Supply Assy., w/o Input Surge Protection (Includes Items 37, 40 & 41)	
	89-9038	Power Supply Assy., w/Input Surge Protection (Includes Items 37, 40 & 41)	
	89-9040	Power Supply Assy. Cover (Item 41)	
		(* Order through Finished Goods Distribution System – Minneapolis)	

Figure 2 – Plastic Pedestal Components

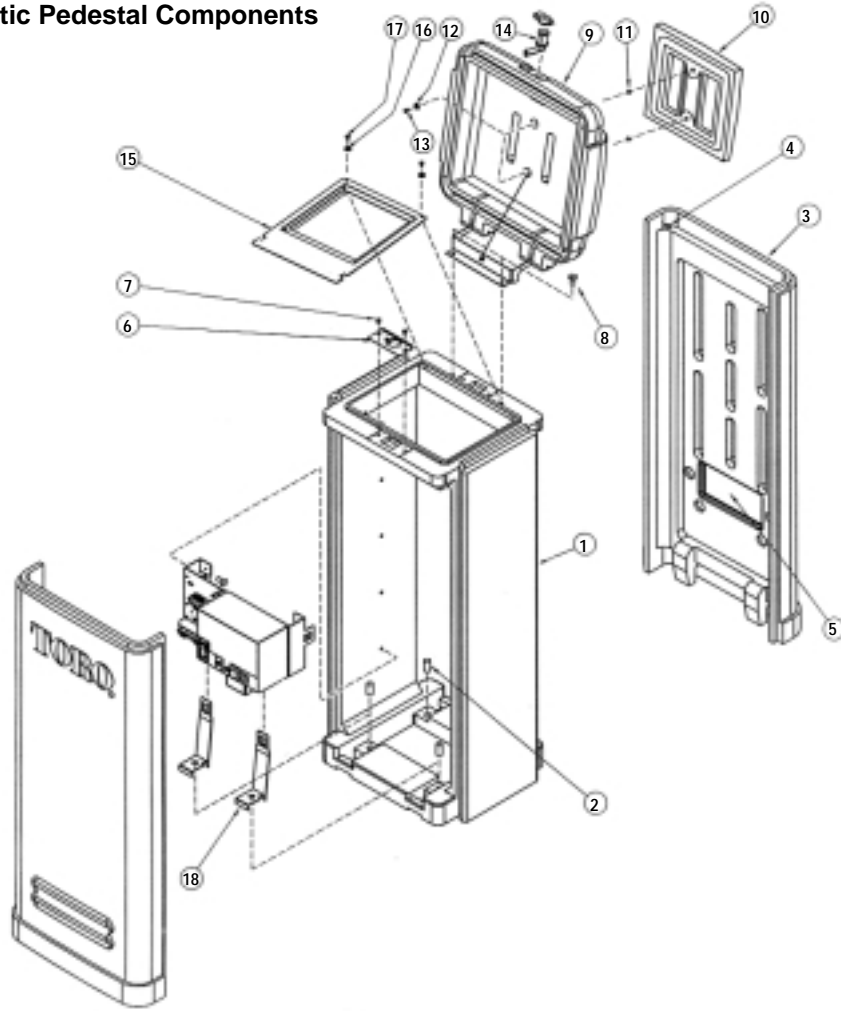
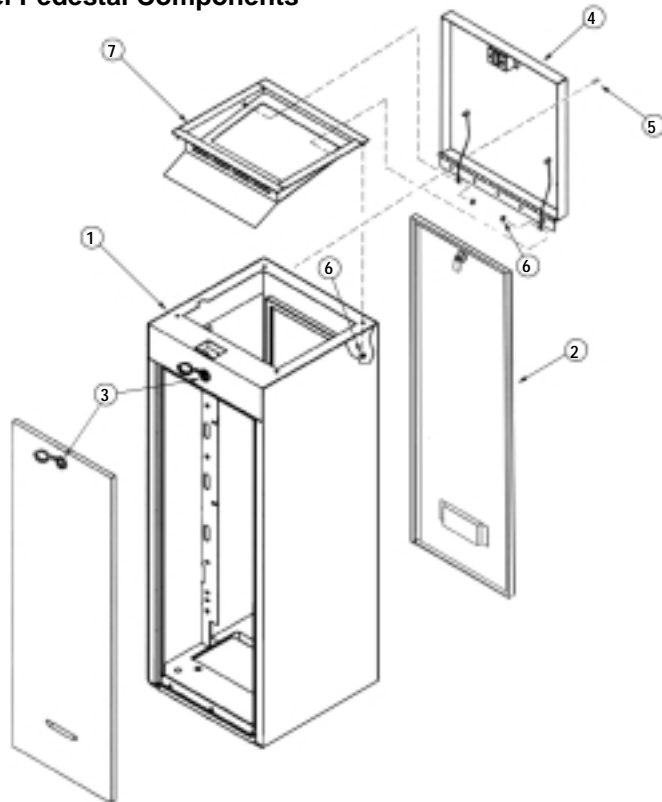


Figure 3 – Stainless Steel Pedestal Components



Item No.	Part No.	Nomenclature	Quantity
		<b>Refer to Figure 2 for the following items:</b>	
1	-----	Base, Plastic Pedestal	1
2	-----	Standoff	1
3	-----	Door, Plastic Pedestal	2
4	-----	Screw, Nylon, #10-32 x 1-1/2"	2
5	-----	Air Filter, Foam	2
6	-----	Plate, Locking	1
7	363-5334	Screw, #10-32 x 3/8" SST	4
8	360-0595	Screw, Machine, 1/4-20 x 1/2", SST	6
9	-----	Cover, Plastic, Standard	1
10	-----	Cap, Vent	1
11	-----	Washer, Silicone	2
12	-----	Washer, Flat	2
13	363-3438	Screw, machine, #10-32 x 1/2", SST	1
14	-----	Lock Assy.	1
15	-----	Plate, Face	1
16	363-3542	Washer, Finish, #6	2
17	363-3541	Screw, Trim, #6	2
18	-----	Support Bracket, Power Supply (Used with plastic pedestal only)	2
		<b>Service Assemblies</b>	
	89-8345	Cover Assy., Standard, Service (Includes Items 9–14)	
	89-8346	Lock Kit, Service (Includes Item 14 w/Keys)	
	89-8347	Door Assy., Service (Includes Items 3–5)	
	89-8348	Base Assy., Service (Includes Items 1, 6 & 7)	
	89-8355	Vent Cap Assy., Service (Includes Items 10–13)	
		<b>Refer to Figure 3 for the following items:</b>	
1	-----	Base, Pedestal, Green, SST	1
2	-----	Door, Pedestal, Green, SST	2
3	-----	Lock Assy.	2
4	-----	Cover, Pedestal Green, SST	1
5	363-3438	Screw, 10-32 x 1/2", SST	5
6	363-1752	Hex Nut, 10-32, SST	4
7	-----	Mount, Timing Mechanism, SST	1
		<b>Service Assemblies</b>	
	89-8294	Stainless Steel Pedestal Assy. (Includes Items 1-6)	
	89-8346	Lock Kit, Service (Includes Item 3 w/Keys)	

